

## Instructions of 1121 CEILING Fixed Installation for Panel TV

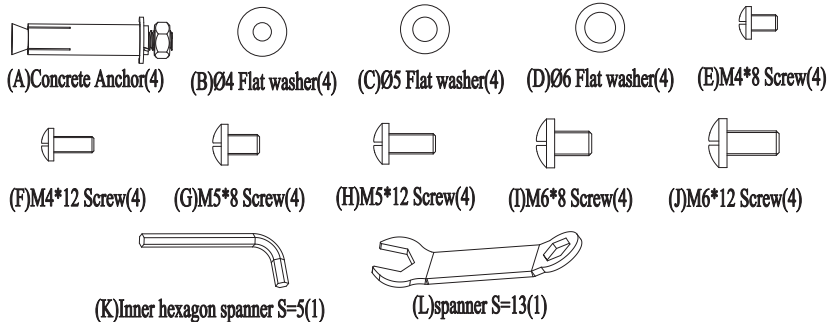
### 1. Technical parameter

Weight : 3.2kg; Size of flat panel TV: 14" - 27" and some screen makes 14"- 32".\*\*Please see [www.umount.tv](http://www.umount.tv) for more information.; Maximum load: 35 kg ; Adjustable angle: up & down  $\pm 15^\circ$  left & right  $\pm 90^\circ$ .

### 2. Part List

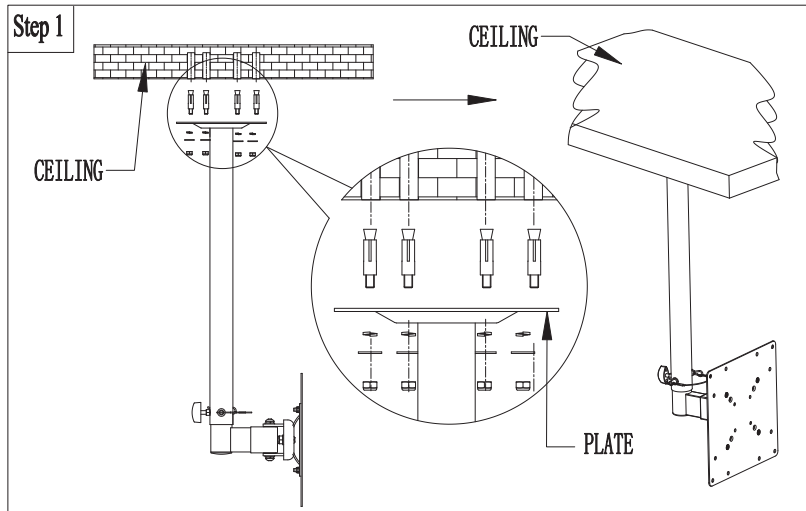
Please check the parts in the package in comparison with the following list. Make sure all of the parts are in the package. Never use defective parts. Never replace part with different specification.

Note: Incorrect installation may cause injury!



### 3. Installation and operation instructions

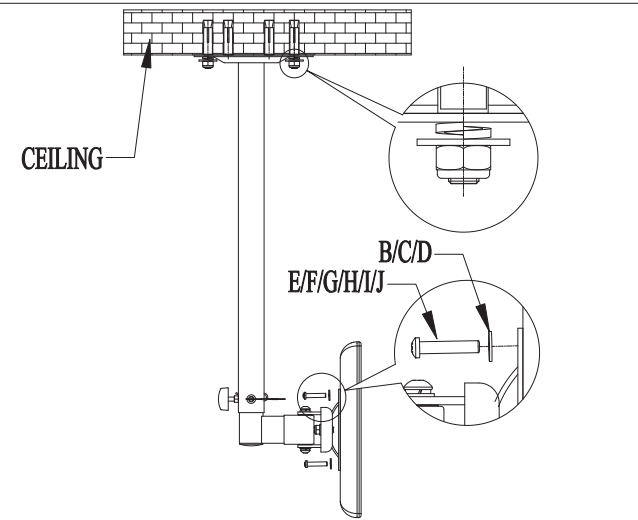
Note: please read the instructions carefully before installation!



#### Step 1:

Use the plate as a templet to drill four holes of  $\text{Ø}10\text{mm}$  diameter and 50mm depth in the concrete ceiling . Then wedge four steel concrete anchors into the holes.  
Fix the plate ,Use the flexible washers and flat washers, then fasten the locknuts to fix the mount onto the ceiling.

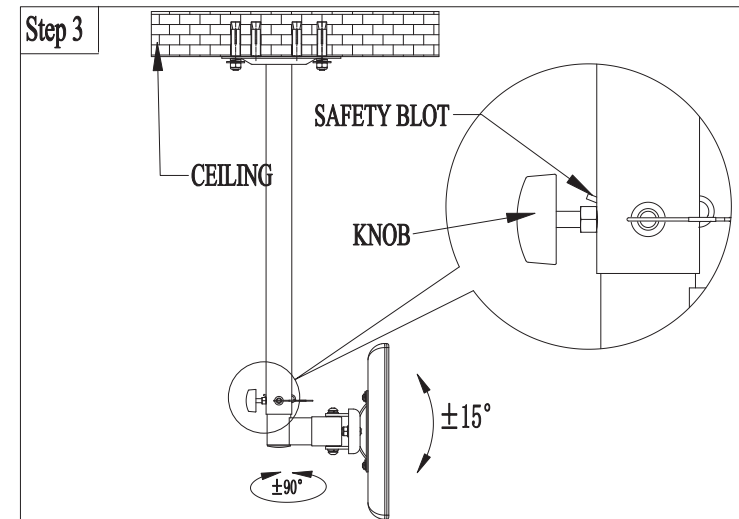
#### Step 2



#### Step 2:

Install TV fixed plate on the TV back.Select four suitable bolts from the parts bag and screw them into the bolt-holes in the back of the TV.

#### Step 3



#### Step 3:

Adjust the angle and height of the panel TV to a suitable position, and fix the safety bolt and screw the knob up at last.

**umount**

umount, Unit 2 Lon Parcwr Business Park, Ruthin, Denbighshire, LL15 1NJ - [www.umount.tv](http://www.umount.tv)